



1172 NW Boulevard Vineland NJ 08360

800.220.5171

856.691.3200

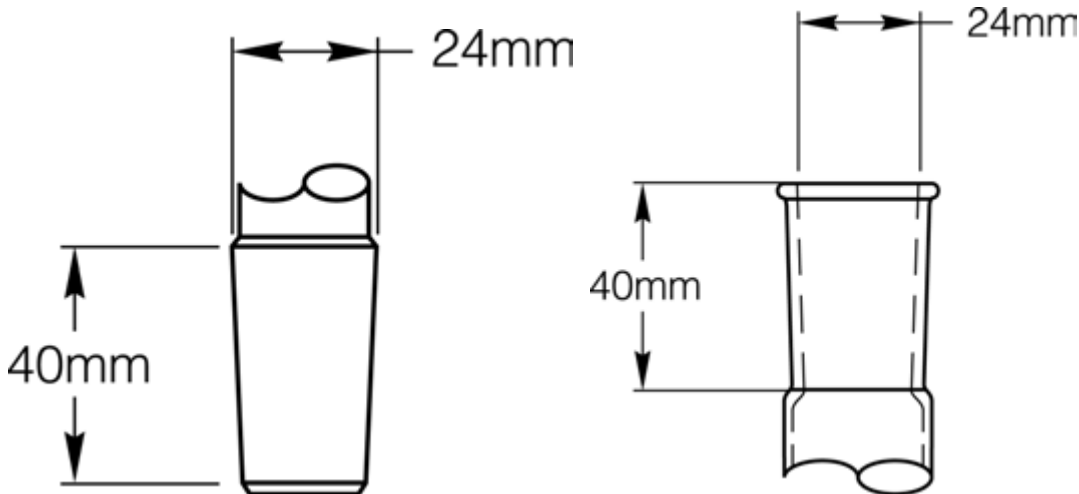
Fax: 800.220.1081

856.691.6206

www.wilmad-labglass.com

TAPER GROUND JOINT DIMENSIONS

W-LG's taper-ground joints are manufactured according to ASTM E 676 specifications. Final grindings for diameter and taper tolerances are fractional as compared to those permitted by Commercial Standard CS-21 of the former National Bureau of Standards. Ts is the symbol used to designate interchangeable taper-ground joints, stoppers, and stopcocks. All mating components are finished to a 1:10 taper.



Standard Dimensions for Full Length Interchangeable Taper-Ground Joints

Joint Size Designation	Approximate Diameter at Small End (mm)	Approximate Length of Ground Zone (mm)	Diameter at Large End of Ground Zone (mm)
7/25	5.0	25	7.5
10/30	7.0	30	10.0
12/30	9.5	30	12.5
14/35	11.0	35	14.5
19/38	15.0	38	18.8
24/40	20.0	40	24.0
29/42	25.0	42	29.2
34/45	30.0	45	34.5
40/50	35.0	50	40.0
45/50	40.0	50	45.0
50/50	45.0	50	50.0
55/50	50.0	50	55.0
60/50	55.0	50	60.0
71/60	65.0	60	71.0
103/60	97.0	60	103.0

Wilmad-LabGlass

Genevac

Hotpack

Hull

FTS

VirTis

SP Service

Divisions of SP Industries



1172 NW Boulevard Vineland NJ 08360

800.220.5171

856.691.3200

Fax: 800.220.1081

856.691.6206

www.wilmad-labglass.com

Standard Dimensions for Medium Length Interchangeable Taper-Ground Joints

Joint Size Designation	Approximate Diameter at Small End (mm)	Approximate Length of Ground Zone (mm)	Diameter at Large End of Ground Zone (mm)
5/12	3.8	12	5.0
7/15	6.0	15	7.5
10/18	8.2	18	10.0
12/18	10.7	18	12.5
14/20	12.5	20	14.5
19/22	16.6	22	18.8
24/25	21.5	25	24.0
29/26	26.6	26	29.2
34/28	31.7	28	34.5
40/35	36.5	35	40.0

Standard Dimensions for Short Length Interchangeable Taper-Ground Joints

Joint Size Designation	Approximate Diameter at Small End (mm)	Approximate Length of Ground Zone (mm)	Diameter at Large End of Ground Zone (mm)
5/8	4.2	8	5.0
7/10	6.3	10	7.0
10/7	9.3	7	10.0
10/10	9.0	10	10.0
12/10	11.5	10	12.5
14/10	13.5	10	14.5
19/10	17.8	10	18.8
24/12	22.8	12	24.0
29/12	28.0	12	29.2
34/12	33.3	12	34.5
40/12	38.8	12	40.0
45/12	43.8	12	45.0
50/12	48.8	12	50.0
55/12	53.8	12	55.0
60/12	58.8	12	60.0
71/15	69.5	15	71.0

Wilma-LabGlass

Genevac

Hotpack

Hull

FTS

VirTis

SP Service

Divisions of SP Industries